

# HOPPER FEEDER

SAFER, MORE EFFICIENT, & UNIFORM  
CROSS OR SCALE FEEDING



The Hopper Feeder allows processors to more efficiently load, store, and feed product throughout food processing lines. Its flexible for cross feeding and direct scale feeding, with many available configurations for both the hopper and vibratory feeder. It's built with features and options designed for all of your key operation, engineering, safety, and quality teams in mind.

- More safely load bulk product with less spillage than manual processes
- Get uniform product flow without loss with an electro mag vibratory feeder
- Feed elevating conveyors to a feeder or cross feed other processes
- Food-grade sanitary design with stainless steel construction and electro-mag drives

## COMMON FOOD APPLICATIONS



CEREAL



FRESH PRODUCE



FROZEN



MEAT



NUTS



PASTA



PET FOOD



SNACK FOOD



# HOPPER FEEDER

## FEATURES + SPECS

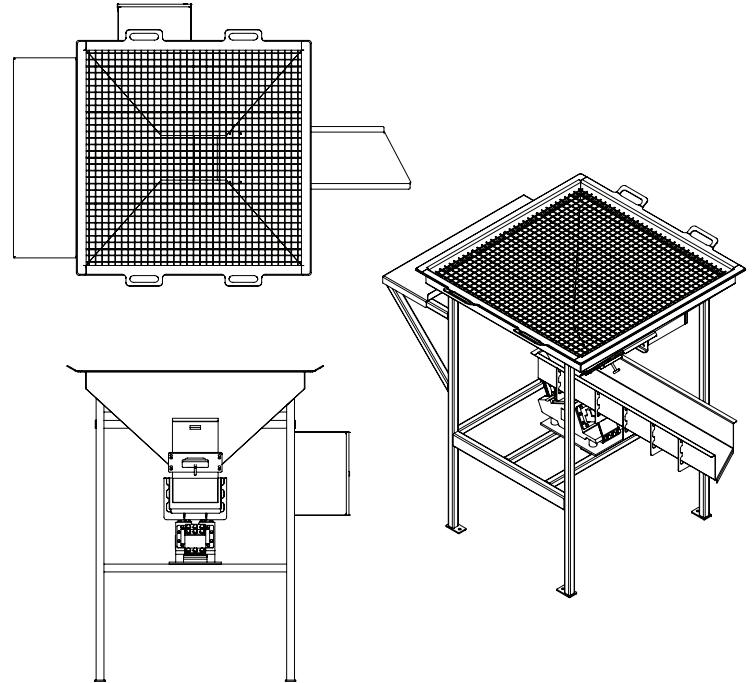
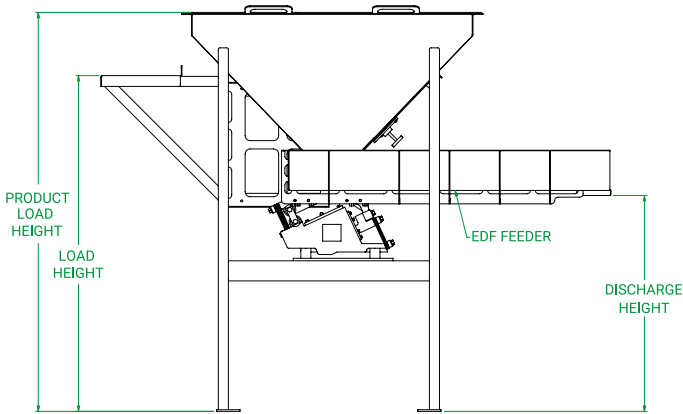
Key details to help you decide if the Hopper Feeder is right for your operation.

- Stainless steel construction
- Electromagnetic drive
- Electrical: 120V/1Ph/60Hz

## OPTIONS

Additional equipment options to customize the Hopper Feeder precisely to your application.

- Manual or automatic controls, local or mounted
- Smooth or textured surfaces
- Options: covers, screens, loading shelf, bin vibrators



This drawing contains confidential information is the exclusive property of the J.E. Grote Co. Neither this document, nor its contents, are to be used, reproduced or disclosed in whole or in part without the express written permission of the J.E. Grote Co. Copyright 2022, J.E. Grote Company, Inc.

09.22v1

## CONTACT US

Ready to get started on your configuration? Contact us to customize the Hopper Feeder to your application, layout, and processes.



*To feed our growing world - Together*  
sales@psiconveyors.com  
psiconveyors.com